

## TN775D - TL775D

### Tracked Feller Buncher / Tracked Harvester



#### STANDARD EQUIPMENT:

##### Engine and its related items:

- Cummins L9 Series Engine - 390HP
- Stage 5 - Single Module DOC/DPF/SCR
- After-cooled, turbocharged, direct injection
- Air cleaner, double element
- Fuel pre filter, 10 micron
- Espar Heater

##### COOLING SYSTEM:

- 42" Hydraulic Fan, Variable Speed
- Auto Reverse

##### ELECTRICAL SYSTEM:

- Alternator (100 Amp / 24V)
- Batteries - 2 12V @ 1,000 CCA
- Work Lights - LED

##### FILTRATION SYSTEM:

- Charge Filter - Non By-Pass 6 micron
- Return Filter w/By-Pass 10 micron
- Case Drain Filter w/ By-Pass 10 micron

##### GUARDS AND COVERS:

- Hydraulic Rear Gull Wing Canopy
- Side Access Service Doors
- Adjustable Side Platforms/Walkways
- Corner Post/Front Guard

##### UPPER TURNTABLE SWING:

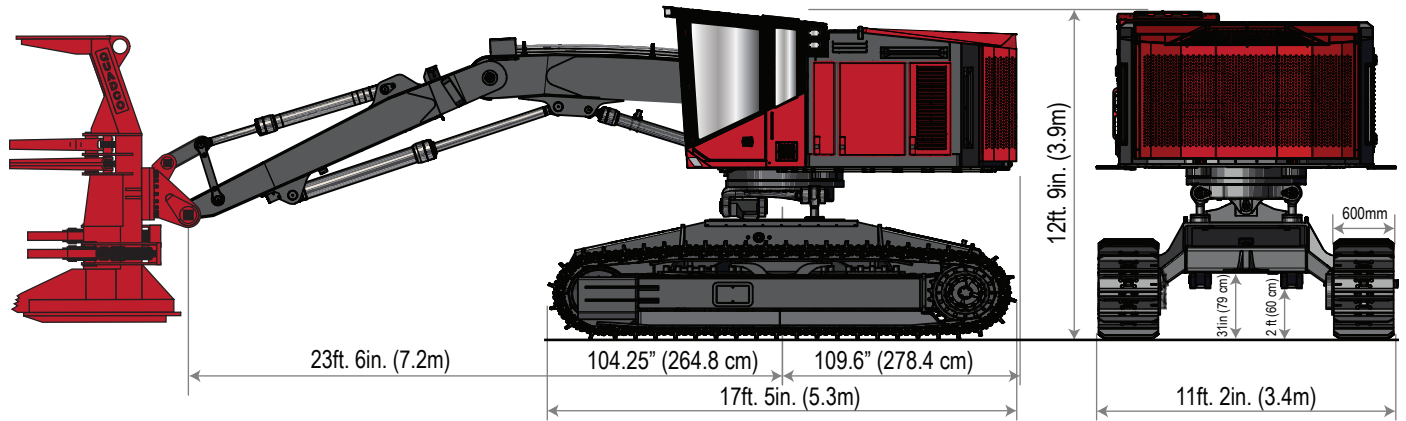
- Gear Box, Dual Rexroth
- Bearing, Dual Ball Bearing, External Tooth
- Swing Motor, Dual Rexroth, 56cc
- Swing Brake, Wet Multi Disc
- Continuous Rotation

##### HYDRAULIC CONTROLS:

- Rexroth Hydraulics
- IQAN MD4 Control
- Implement Pump - 175cc Variable Disp. (performance package)
- Swing Pump - Dedicated 90cc Hydrostatic Closed Loop
- Track Drive - Dual, 90cc, Hydrostatic
- Saw Pump - 60cc, piston
- Charge Pump -50cc gear pump
- Electric Hydraulic Fill Pump
- Hydraulic Tank Vacuum System
- Charge Relief Heater (hydraulic oil)

##### OPERATOR ENVIRONMENT:

- TimberPro Forestry Cab
- ROPS/FOPS/OPS Certified
- Three Emergency Escape Routes
- Digital Climate Control
- Heater, 38,000 BTU
- A/C, 35,000 BTU
- Fresh Air Filtered & Pressurized Cabin
- AM/FM/WB- Bluetooth/Handsfree Radio
- Deluxe Seat - Air Ride, Heat and Lumbar
- 4 Point Harness Seat Belt
- Led Lights
- Rearview Camera System
- IQAN MD4 Control with 10" Touch Screen
- Engine Management
- Troubleshooting Diagnostics
- Over & Under Temperature Protection



MODEL	TN775D	TL775D
<b>Operating Weight</b>	93,650 lb 42,480 kg	96,200 lb 43,636 kg
<b>A</b>	10' 7"	12' 9"
<b>B</b>	31"	31"
<b>C</b>	11' 2'	11' 2'
<b>D</b>	17' 5"	17' 5"
<b>E</b>	9' 1"	9' 1"
<b>F FB Boom</b>	23' 6"	23' 6"
<b>F Harvester Boom</b>	30'	30'
<b>SPECS</b>		
<b>HP</b>	390	390
<b>Fuel Capacity</b>	950	950
<b>Swing Torque</b>	113,811	113,811
<b>Tractive Effort</b>	108,745 lb	108,745 lb
<b>REACH</b>		
<b>Buncher</b>	23' 6"	23' 6"
<b>Harvester</b>	30'	30'
<b>LIFTING CAPACITIES @ FULL REAACH</b>		
<b>Buncher</b>	15,000 lbs	15,000 lbs
<b>Harvester</b>	10,500 lbs	10,500 lbs
<b>UNDERCARRIAGE</b>		
<b>Track Type</b>	D7G HD	D7G HD
<b>No of Links</b>	50	51
<b>LEVELING (DEG)</b>		
<b>Front</b>	n/a	22 deg
<b>Rear</b>	n/a	8 eg
<b>Side</b>	n/a	240 deg
<b>Tethering</b>	Option	STD