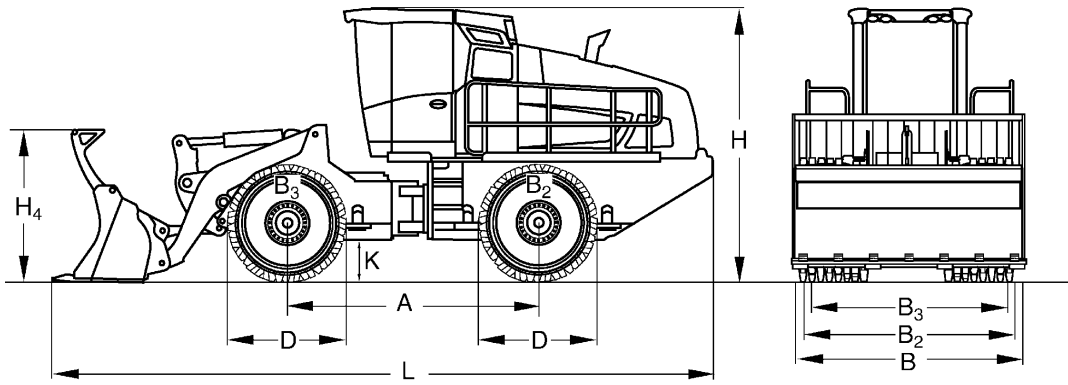


# TECHNICAL DATA

REFUSE COMPACTOR

BC 473 RS-5





**Dimensions in mm**

	<b>A</b>	<b>B</b>	<b>B2</b>	<b>B3</b>	<b>D</b>	<b>H</b>	<b>H4</b>	<b>K</b>	<b>L</b>
<b>BC 473 RS-5</b>	3500	3198	3110	2885	1660	3820	2130	600	9230

**Shipping dimensions in m3**

**BC 473 RS-5**

112,757

## Technical Data

## BOMAG BC 473 RS-5

### Weights

Grossweight .....	kg	26.500
Operating weight CECE .....	kg	25.700
Axle load, front CECE .....	kg	12.300
Axle load, rear CECE .....	kg	13.400

### Driving Characteristics

Speed (1), forward .....	km/h	0- 4,5
Speed (1), reverse .....	km/h	0- 4,5
Speed (2), forward .....	km/h	0- 12,0
Speed (2), reverse .....	km/h	0- 12,0
Max. gradeability (dep. on soil con.) .....	%	100
Max. pushing force .....	kN	281

### Drive

Engine manufacturer .....		Merc. Benz/MTU
Type .....		OM 936 LA
Emission stage .....		Stage V / TIER4f
Exhaust gas aftertreatment .....		SCR+DOC+DPF
Cooling .....		Liquid
Number of cylinders .....		6
Performance ECE R 120 .....	kW	210,0
Performance SAE J 1349 .....	hp	281,0
Speed .....	min-1	2.200
Travel system .....		hydrost.
Operating voltage .....	V	24

### Compaction Wheels

Width, front .....	mm	900
Width, rear .....	mm	900
Outer diameter (front) .....	mm	1.660
Outer diameter (rear) .....	mm	1.660
Number of teeth/cutters, front .....		40
Number of teeth/cutters, rear .....		40
Compaction coverage per side .....	mm	1.013

### Brakes

Service brake .....		hydrost.
Parking brake .....		hydromec.

### Steering

Steering system .....		oscil.artic.
Steering method .....		hydraulic
Steering angle +/- .....	grad	35
Oscillating angle +/- .....	grad	15
Track radius, inner .....	mm	3.762

### Capacities

Fuel .....	l	375,0
Hydraulic oil .....	l	260,0
AdBlue (DEF) ® .....	l	40,0

Technical modifications reserved. Machines may be shown with options.

## Standard Equipment

## Optional Equipment

- Polygonal compaction wheels, teeth with replaceable caps
- Bucket (3200mm)
- Premium compaction wheels with highly wear resistant teeth
- CD-Radio
- Pre start cabin heating
- Rotary beacon
- Fire extinguisher
- Special painting
- Electrical anti-theft system with numerical code
- Tool kit
- Protective grille for cabin
- Tachograph
- Cold start device
- Protective ventilation system (Pre-installation)
- Bucket tooth system
- LED Working head lights
- Cold start device 115V
- Cold start device 230V
- Protective grille, rear
- TELEMATIC POWER

